

RF-Panic-One-Button-319-NN – Wireless Panic

Description

The RF-Panic-One-Button-319-NN is a wireless handheld or mounted device that when pressed sends a wireless signal to the alarm panel.

The panic sensor can be used as a police, medical or auxiliary alarm activation. The sensor is powered by a replaceable 3-VDC, lithium coin-cell battery.



General Information

The RF-Panic-One-Button-319-NN is a lithium battery powered operated panic device for an alarm system. The Panic provides the user: (specific programming required for operation)

- Police alarm sounds.
- Medical reporting.
- Silent alarm reporting.
- Auxiliary (local only sounds).

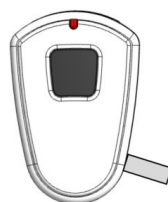
Note: In programming, the sensor should be enrolled in a supervised group, this maintains integrity between the panel and device.

This device is equipped with a “Heartbeat” indicator. Every 5 minutes the red LED light will briefly flash to indicate that the battery is good and the Panic is ready to send an emergency signal.

Accessories

The RF-Panic-One-Button-319-NN includes:
RF-Panic-One-Button
Belt Clip
Lanyard Clip
[Manual](#)
Mounting Bracket

Battery Tab



Pull out battery tab for operation.

Note: Tighten bottom screw after removing battery tab

Programming

The following steps describe the general guidelines for programming the sensor into panel memory. Refer to the specific panel’s documentation for complete programming details.

1. Enter panel learn-in/enrollment mode.
2. Select sensor number
3. Select sensor type (specific for panel type)
4. When the panel request sensor activation, Press the Panic button.
5. Exit program mode.

Testing and the Sensor

Sensor should be tested for both operation and range.

Operational Testing

- Press the panic button, the specific alarm sound should immediately sound.
- Disarm the system to silence the alarm.

Wireless Testing

Wireless testing provides a baseline for the distance the panic will operate away from the control panel.

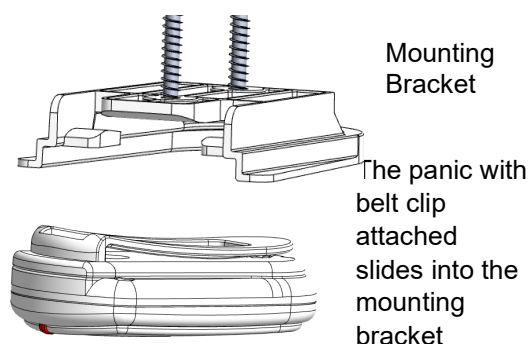
- Enter dealer sensor test at the control panel.
- Press the panic and verify panel acknowledgement.
- Walk away from the panel and test at various locations making sure the panel acknowledges.

RF-Panic-One-Button-319-NN – Wireless Panic

Mounting Bracket

The mounting bracket can be used for a permanent or temporary mount for the panic. Using screws mount the bracket in any orientation.

Note: The belt clip must be installed on the panic device to fit into the bracket



Battery Replacement

Note: If a low battery alarm occurs, replace the battery within 7 days.

The RF-Panic-One Button-319 requires (1) 3-VDC, lithium coin-cell batteries (Varta or Panasonic, Model CR2450),

1. Remove the cover by removing the (3) screws
2. Observe polarity when replacing battery.

CAUTION: Battery may explode if mistreated. Do not recharge, disassemble or dispose of in fire.

Specifications

Model no.:	RF-PANIC-ONE-BUTTON-319
RF frequency:	319.5 MHz
Compatibility:	Interlogix Learn Mode Panels and Receivers – Concord, NetworX and Simon Series.
Battery type:	(1) 3-VDC, lithium coin-cell battery (Varta or Panasonic, Model CR2450).
Battery:	Varta CR2450 or Panasonic CR2450.
Operating temperature range:	32 to 120°F (0 to 49°C). -30 to 140°F (-34 to 60°C).
Storage temperature range:	95% non-condensing. 3
Relative humidity:	x 2 x .7 (L x W x D)

Dimensions

FCC / IC Statement

This equipment has been tested and found to comply with the limits for a Class B digital device, pursuant to Part 15 of the FCC Rules. These limits are designed to provide reasonable protection against harmful interference in a residential installation.

This equipment generates, uses and can radiate radio frequency energy and, if not installed and used in accordance with the instructions, may cause harmful interference to radio communications. However, there is no guarantee that interference will not occur in a particular installation.

If this equipment does cause harmful interference to radio or television reception, which can be determined by turning the equipment off and on, the user is encouraged to try to correct the interference by one or more of the following measures:

- Reorient or relocate the receiving antenna.
- Increase the separation between the equipment and receiver.
- Connect the equipment into an outlet on a circuit different from that to which the receiver is connected.
- Consult the dealer or an experienced radio/TV technician for help.

This device complies with Industry Canada license-exempt RSS standard(s). Operation is subject to the following two conditions: (1) this device may not

RF-Panic-One-Button-319-NN – Wireless Panic

cause interference, and (2) this device must accept any interference, including interference that may cause undesired operation of the device.

Cet appareil est conforme avec Industrie Canada exempts de licence standard RSS (s). Son fonctionnement est soumis aux deux conditions suivantes: (1) cet appareil ne doit pas provoquer d'interférences et (2) cet appareil doit accepter toute interférence, y compris celles pouvant causer un mauvais fonctionnement de l'appareil.

In accordance with FCC requirements of human exposure to radio frequency fields, the radiating element shall be installed such that a minimum separation distance of 20 cm is maintained from the general population.

FCC: 2ABBZ-RF-PANIC-319

IC: 11817A-RFPANIC319

This device complies with Part 15 of the FCC Rules. Operation is subject to the following two conditions: (1) This device may not cause harmful interference, and (2) this device must accept any interference received, including interference that may cause undesired operation. Changes or modifications not expressly approved by the party responsible for compliance could void the user's authority to operate the equipment. This Class B digital apparatus complies with Canadian ICES-3B.

Cet appareil numérique de la classe B est conforme à la norme NMB-003 du Canada.

MANUFACTURER HEREBY DISCLAIMS ALL WARRANTIES AND REPRESENTATIONS, WHETHER EXPRESS, IMPLIED, STATUTORY OR OTHERWISE INCLUDING (BUT NOT LIMITED TO) ANY WARRANTIES OF MERCHANTABILITY OR FITNESS FOR A PARTICULAR PURPOSE WITH RESPECT TO THESE PRODUCTS AND ANY RELATED SOFTWARE. MANUFACTURER FURTHER DISCLAIMS ANY OTHER IMPLIED WARRANTY UNDER THE UNIFORM COMPUTER INFORMATION TRANSACTIONS ACT OR SIMILAR LAW AS ENACTED BY ANY STATE.

(USA only) SOME STATES DO NOT ALLOW THE EXCLUSION OF IMPLIED WARRANTIES, SO THE ABOVE EXCLUSION MAY NOT APPLY TO YOU. THIS WARRANTY GIVES YOU SPECIFIC LEGAL RIGHTS AND YOU MAY ALSO HAVE OTHER LEGAL RIGHTS THAT VARY FROM STATE TO STATE.

MANUFACTURER MAKES NO REPRESENTATION, WARRANTY, COVENANT OR PROMISE THAT ITS ALARM PRODUCTS AND/OR RELATED SOFTWARE (I) WILL NOT BE HACKED, COMPROMISED AND/OR CIRCUMVENTED; (II) WILL PREVENT, OR PROVIDE ADEQUATE WARNING OR PROTECTION FROM, BREAK-INS, BURGLARY, ROBBERY, FIRE; OR (III) WILL WORK PROPERLY IN ALL ENVIRONMENTS.